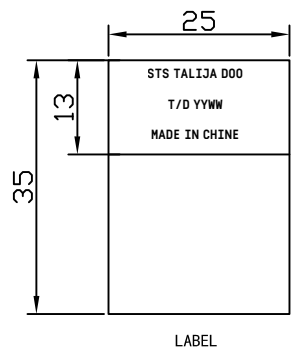
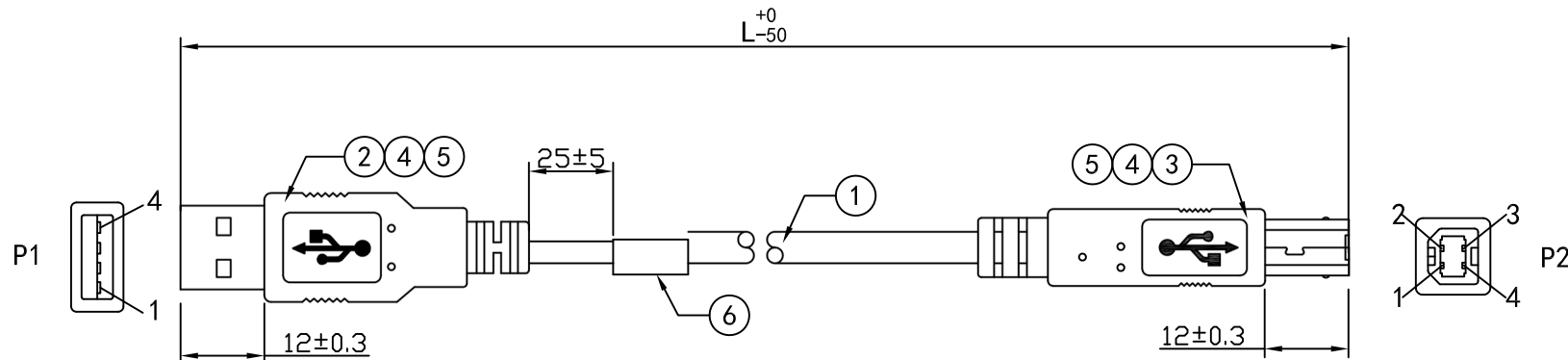


REV.	DESCRIPTION	DATE
△		
△		

RoHS



E540931



PART NO.				
LENGTH (L)	3000	2000	1500	1000

- NOTE:**
- 100% OPEN & SHORT WIRE TEST;
 - CONTACT RESISTANCE 2ohm Max;
 - INSULATION RESISTANCE 10M ohm Min;
 - HI-POT DC 630V/10mS;

PIN OUT

P1		P2
1	RED	1
2	WHITE	2
3	GREEN	3
4	BLACK	4
SHELL DRAIN+BRAID		SHELL

6	LABLE	LABLE W:25*L:35MM, White 25*13MM	1PCS	
5	OUT-MOLD	PVC 45P BLACK	10G	
4	COPPER	COPPER FOIL T:0.65*W:8*L:15MM	2PCS	
3	CONN 2	USB (2.0) BM WHITE PIN/30U" NICKEL-SHELL (three-piece)	1SET	
2	CONN 1	USB (2.0) AM WHITE PIN/30U" NICKEL-SHELL (three-piece)	1SET	
1	CABLE	UL2725 (USB2.0 Cable) 1P#28+2C#24+AL+D+B (16/4/0.12AM) OD:4.5MM BLACK L:xx MM	1PCS	
NO.	MATERIAL. P/N	DESCRIPTION	Q' TY	

東莞市隆凱電子有限公司
Dongguan Lungkay electronics co.,LTD

UNLESS OTHERWISE SPECIFIED TOLERANCE x.xx ± ; x.x ± ; x.xx ± ; angles ± ;		DESCRIPTION: USB 2.0 AM/USB2.0 BM Cable	
DRAWN:	Helen	CUSTOMER P/N:	
CHECKED:	B. Tomic	PRODUCT NO.:	SCALE: NONE
APPROVED:		DWG NO: 20240711-01	SHEET: 1 of 1
		REV: X/0	UNIT: mm DATE: 24.07.11